



GUAM WATERWORKS AUTHORITY

Gloria B. Nelson Public Service Building 688 Route 15 Mangilao, Guam 96913 | (671) 300-6058

**Adacao Water and Sewer Infrastructure Construction Services
GWA Project No. 22203
IFB-030-ENG-2024
GWA RFI Response No. 3 Contractor Inquiries**

This Addendum and/or Response to Request for Information (RFI) is issued to modify the previously issued bid documents and/or given for informational purposes and to the extent the responses below modify the bid documents, please treat them as an amendment to the Bid. The following are responses to RFIs received:

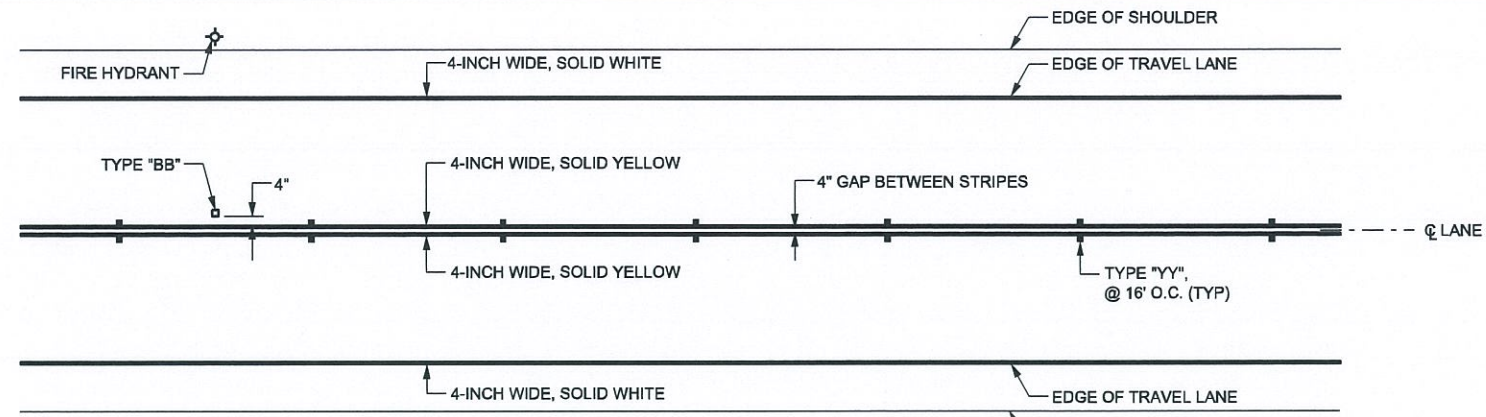
NO.	DATE	QUESTION/INQUIRY AS SUBMITTED	GWA RESPONSE
Questions from September 18, 2024			
1		Addendum No.1 released was provided with a New Bid Schedule that includes Base Bid and Alternate Bids A to E. Please advise if Alternate Bids A to E or any Alternate Bids may be or may not be awarded with the Base Bid. Or will it still be considered as a one complete package contract.	Award will be based on Base Bid. Alternate bids may be awarded with base bid as determined by GWA
2		If Pavement Marking and Road Signages shall be part of Incidental Work for Road Restoration, kindly provide locations and additional details for bid uniformity. Otherwise, please advise.	Pavement and signage are considered incidental. Locations/items shall be restored to match existing conditions. Contractor shall refer to the attached DPW standard to two-lane 634-02 pavement marking (Attachment 1).

Bidders are also notified to visit GWA website: www.guamwaterworks.org to ensure that addenda to the bid, answers to questions, and reminders are communicated to all bidders throughout the solicitation process.



 MIGUEL C. BORDALLO, P.E.
 General Manager

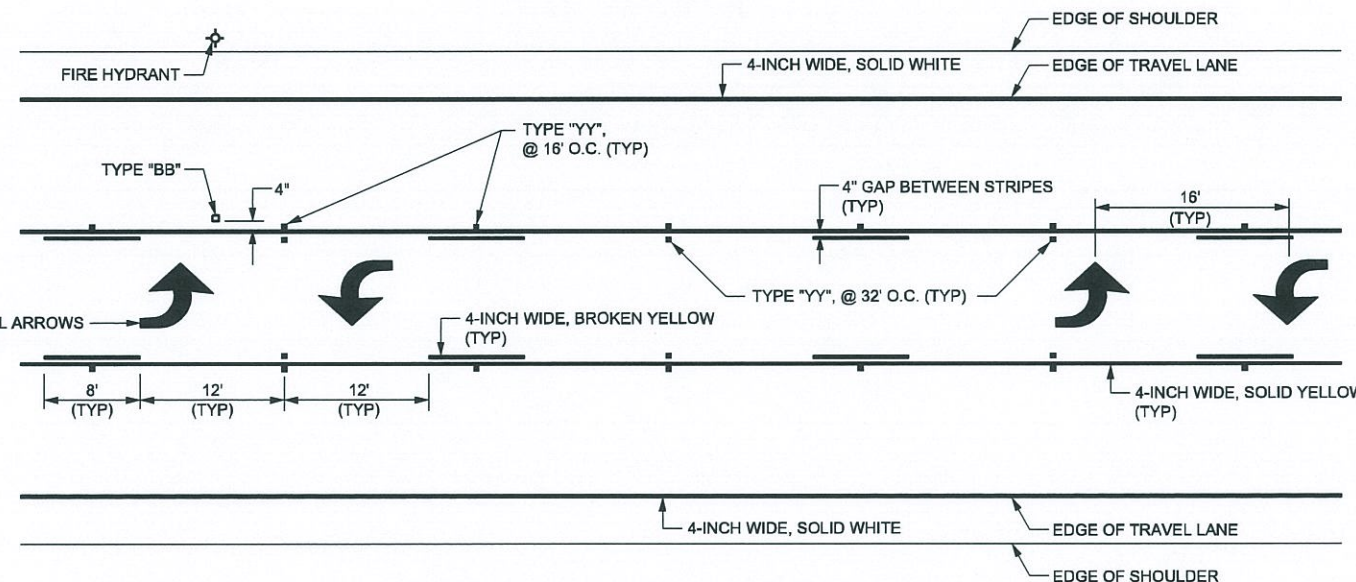
Cc: MCB, RAC



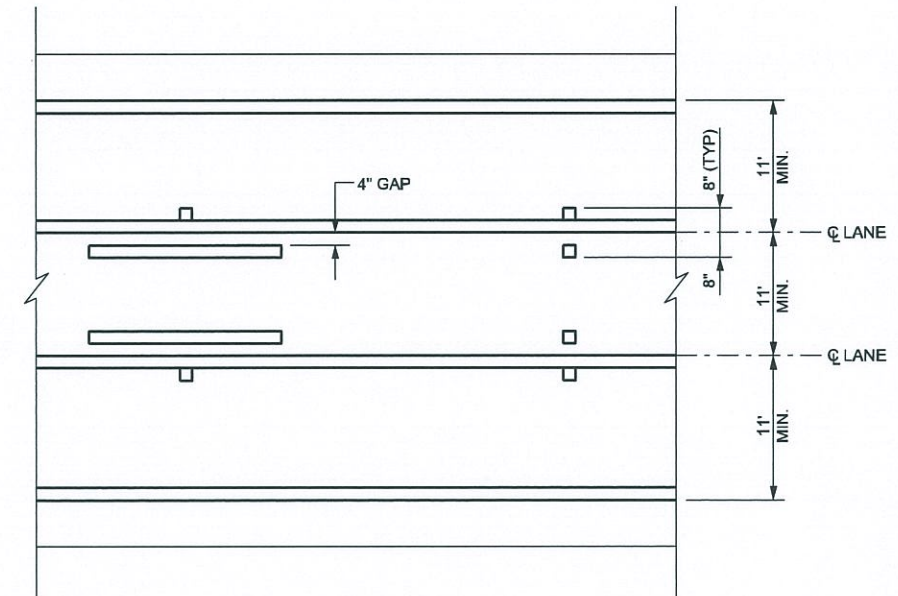
GENERAL NOTES:

1. STRIPES SHALL BE THERMOPLASTIC MATERIAL (TYPE H).
2. FOR LANE WIDTH AND MEDIAN WIDTH, REFER TO CONTRACT PLANS.
3. FOR DETAILS OF RAISED PAVEMENT MARKERS, SEE STD 634-01.

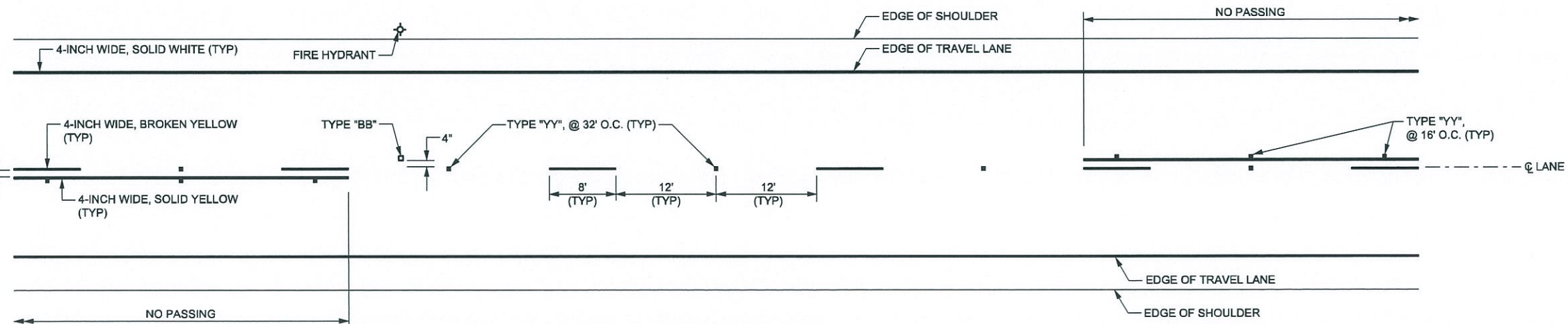
2-LANE NO PASSING ZONE
NOT TO SCALE



2-LANE WITH CENTER TURNING LANE
NOT TO SCALE



DETAIL



2-LANE PASSING ZONE
NOT TO SCALE

SIGNED ORIGINAL ON FILE

DRAWING REVISIONS			
REVISION	DATE	BY	DESCRIPTION



Guam Department of Public Works
542 North Marine Corps Drive
Tamuning, Guam 96913
Tel: (671) 646-3131
Fax: (671) 649-6178

2 - LANE PAVEMENT MARKING

APPROVED FOR USE ON DPW PROJECTS

Signature
CHIEF ENGINEER, HIGHWAYS
DEPARTMENT OF PUBLIC WORKS
DATE: 10/14/12

STANDARD NO. 634-02