



## GUAM WATERWORKS AUTHORITY

Gloria B. Nelson Public Service Building • 688 Route 15, Mangilao, Guam 96913 • Tel. (671) 300-6036

**Invitation To Bid:** IFB-09-ENG-2018  
Upgrade of Northern District Wastewater Treatment Plant (Clearing and Grading)  
GWA Project No. S17-003-OEA

**Addendum No.:** 03

**Date:** October 10, 2018

---

### All Qualified Bidders:

This addendum is issued to modify the previously issued bid documents and/or given for informational purposes and is hereby made a part of the bid documents. Failure to acknowledge receipt of this addendum shall be grounds for the bidder's disqualification and rejection of the bidder's proposal.

#### 1. Part A – Additional Information

The contractor shall be made aware of an active parallel force-main located east of the existing 27 inch force-main shown on the civil site plans. The Bidder shall assume this line to be 36 inch PVC located 8 ft east, centerline to centerline. No revisions to the grading plans will be required.

#### 2. Part B – Sheet C5.1.3

Replace the previously issued drawing sheet C5.1.3 – Standard Details with attached revised Sheet C5.1.3.

#### 3. Part C – GWA Request for Information Response No. 1 to Contractor Inquiries

GWA's responses to contractor RFI inquiries are attached to this addendum

Bidders are also notified to visit the GWA website: [www.guamwaterworks.org](http://www.guamwaterworks.org) to ensure that addenda to the bid, answers to questions, and reminders are communicated to all bidders throughout the solicitation process.

  
MIGUEL C. BORDALLO, P.E.  
General Manager

#### Attachment(s):

- Revised Sheet C5.1.3
- GWA's Responses to Contractor Requests for Information

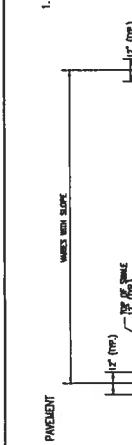
MCB;afc

**REVISED SHEET C5.1.3**

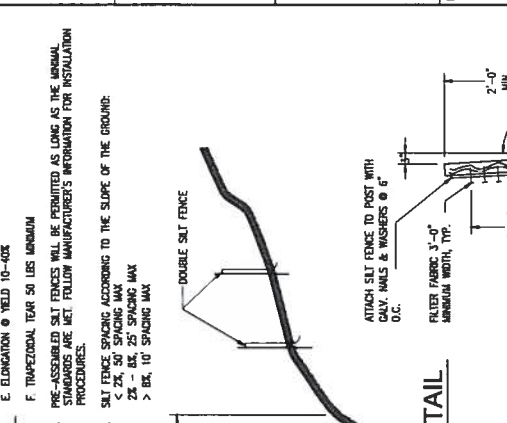


Project No.	517200-SEA
Issue Date	08/28/15
Drawn By	JMC/CLP
Checked By	JMC/KR
Approved By	KR
Designed By	JMC

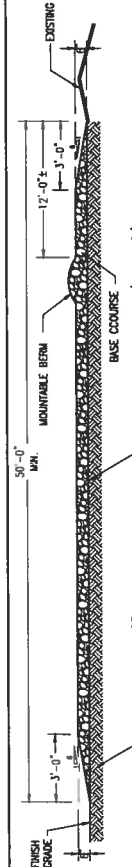
- GENERAL NOTES:**
1. GEO-TEXTILE FABRIC SHALL CONFORM TO THE FOLLOWING STANDARDS:  
 A. TENSILE STRENGTH = 100 LBS (MIN)  
 B. THE APPARENT OPENING SIZE SHALL BE EQUAL TO OR BETWEEN 20-50 SEVE  
 C. THE ULTIMATE STABILITY ORIGINAL TENSILE STRENGTH RETAINED AFTER 500 HOURS EXPOSURE IS 80%  
 D. PERMEABILITY 0.1/SEC MINIMUM  
 E. ELONGATION @ YIELD 10-40%  
 F. TRIANGULAR TEAR 50 LBS MINIMUM  
 PRE-ASSEMBLED SILT FENCES WILL BE PERMITTED AS LONG AS THE MINIMAL STANDARDS ARE MET. FOLLOW MANUFACTURER'S INFORMATION FOR INSTALLATION PROCEDURES.
  2. SILT FENCE SPACING ACCORDING TO THE SLOPE OF THE GROUND:  
 < 2% - 50' SPACING MAX  
 2% - 8% - 25' SPACING MAX  
 > 8% - 10' SPACING MAX



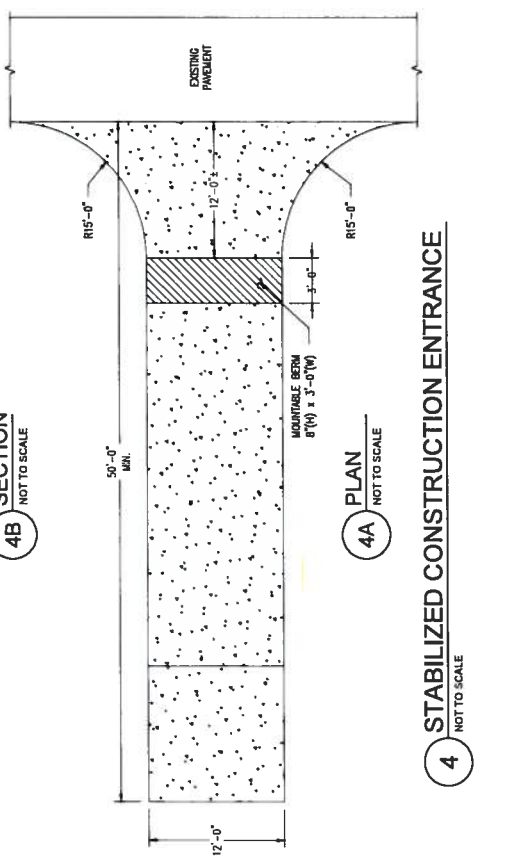
**5 CHECK DAM DETAIL**  
 NOT TO SCALE



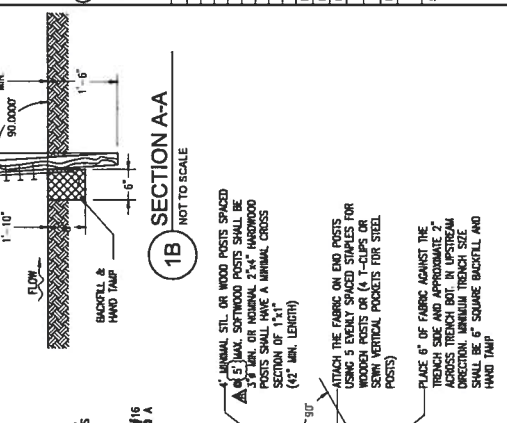
**2 TYPICAL SILT FENCE LOCATION DETAIL**  
 NOT TO SCALE



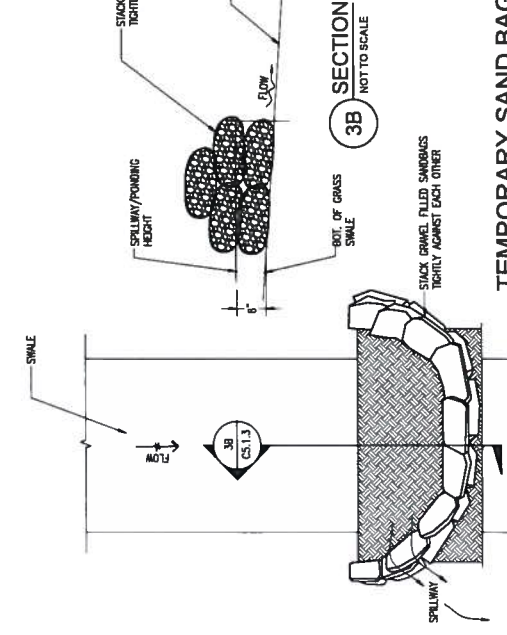
**4B SECTION**  
 NOT TO SCALE



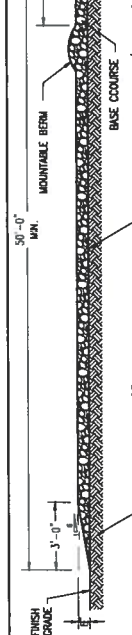
**4A PLAN**  
 NOT TO SCALE



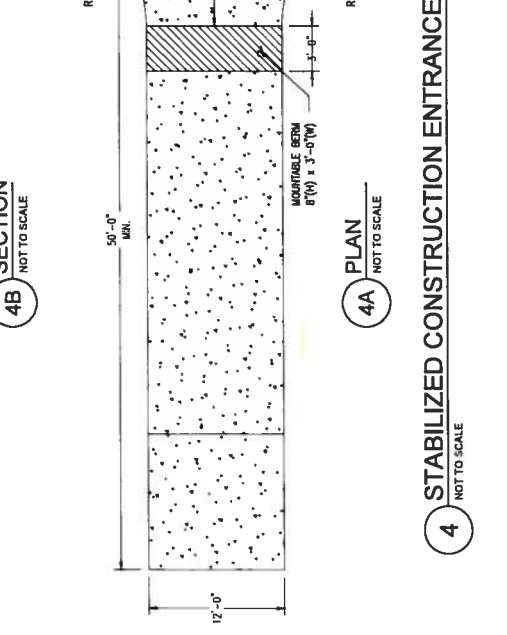
**1B SECTION A-A**  
 NOT TO SCALE



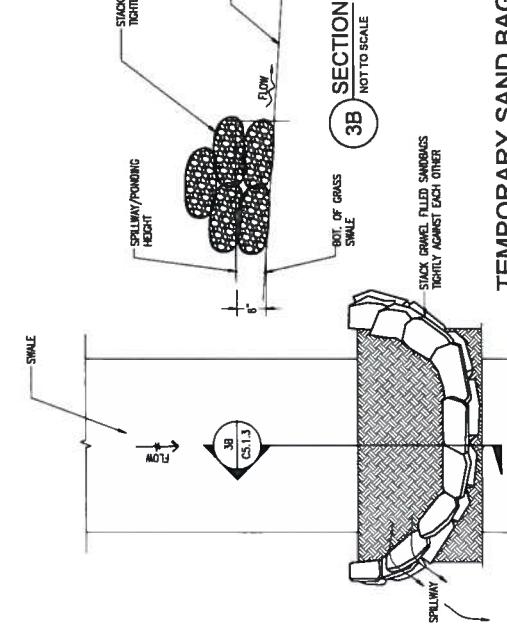
**1A ISOMETRIC VIEW**  
 NOT TO SCALE



**3B SECTION**  
 NOT TO SCALE



**3A PLAN**  
 NOT TO SCALE



**3 TEMPORARY SAND BAGS PROTECTION DETAIL**  
 NOT TO SCALE

**4 STABILIZED CONSTRUCTION ENTRANCE**  
 NOT TO SCALE

**1 STANDARD SILT FENCE DETAIL**  
 NOT TO SCALE

**3A PLAN**  
 NOT TO SCALE

**3B SECTION**  
 NOT TO SCALE

**2 TYPICAL SILT FENCE LOCATION DETAIL**  
 NOT TO SCALE

**5 CHECK DAM DETAIL**  
 NOT TO SCALE

**4A PLAN**  
 NOT TO SCALE

**4B SECTION**  
 NOT TO SCALE

**1A ISOMETRIC VIEW**  
 NOT TO SCALE

**1B SECTION A-A**  
 NOT TO SCALE

**3 TEMPORARY SAND BAGS PROTECTION DETAIL**  
 NOT TO SCALE

**3A PLAN**  
 NOT TO SCALE

**3B SECTION**  
 NOT TO SCALE

IF SPACE IS LESS THAN 2 1/2" x 11" PRINT IS 1/4" SCALE  
 IF SPACE IS 2 1/2" x 11" PRINT IS 1/2" SCALE

## **GWA'S RESPONSES TO CONTRACTOR REQUESTS FOR INFORMATION**



**GUAM WATERWORKS AUTHORITY**


Addendum No. 003  
 GWA Interceptor Sewer Refurbishment Project, Northern District  
 GWA Project No. S17-003-OEA  
 IFB-09-ENG-2018  
 GWA RFI Response No. 1 to Contractor Inquiries

This Addendum and/or Response to Request for Information (RFI) is issued to modify the previously issued bid documents and/or given for informational purposes and to the extent the responses below modify the bid documents, please treat them as an amendment to the Bid. The following responses are in response to RFIs received.

RFI	DATE	QUESTION/INQUIRY AS SUBMITTED:	GWA RESPONSE:
1	10/5/2018	<p>1. With the Drainage and Grading plan shown on C2.1.3 and C2.1.4, it looks filling will be required and excavated materials from ponding basins may not be enough.</p> <p>Question: Are we going to import the fill materials or shall we just balance the materials at site thereby adjusting the grading plan?</p> <p>2. At C2.1.1 and C2.1.2, grading seems to match only what is existing. After clear and grub, the grading elevation will not be the same.</p> <p>Question: same as question in No. 1 above.</p>	<p>Both cut and fill are required. The amount of cut exceeds the fill for the entire project site. Importing of fill is not required, and no adjustment to the grading plan is necessary.</p> <p>Clearing and grubbing were accounted for in the design grades. "Refer to Specification 312230 for site clearing requirements, top-soil placement, storage and removal.</p> <p>There will be no extension.</p>
3	10/8/2018	<p>1. We need more time to estimate, please extend bid date for 2 weeks.</p> <p>2. On the bid qualification, item #12 Safety Program:</p> <p>a. Asked to provide workers' compensation Experience Modification Rate (EMR), Our insurance provider said Guam does not have this rate available.</p> <p>b. Same as "a" for Recordable Frequency Rate (TRFR).</p> <p>c. Asked to attached OSHA No. 500 – Log &amp; Summary of Occupational Injury &amp; Illness for last 5</p>	<p>a. Please fill out Contractor Qualifications as requested by Section 00460, Subsection 12.</p> <p>b. Please fill out Contractor Qualifications as requested by Section 00460, Subsection 12.</p> <p>c. Please provide OSHA 300 Log and Summary in lieu of OSHA 500 logs.</p>

5	10/8/2018	1. On required attachments, page 8 of section 00460 Qualifications Statement, for schedule A through C, could we use our form instead of form GWA provided.	Use form requested in Bid Documents, Section 00460.
---	-----------	---	---

Bidders are also notified to visit GWA website: [www.guamwaterworks.org](http://www.guamwaterworks.org) to ensure that addenda to the bid, answers to questions, and reminders are communicated to all bidders throughout the solicitation process.



\_\_\_\_\_  
MIGUEL C. BERNALLO, P.E.  
General Manager

MCB;tfc