



## GUAM WATERWORKS AUTHORITY

Gloria B. Nelson Public Service Building • 688 Route 15, Mangilao, Guam 96913 • Tel. (671) 300-6036

**Invitation To Bid:** IFB-09-ENG-2018  
Upgrade of Northern District Wastewater Treatment Plant (Clearing and Grading)  
GWA Project No. S17-003-OEA

**Addendum No.:** 02

**Date:** October 3, 2018

---

### All Qualified Bidders:

This addendum is issued to modify the previously issued bid documents and/or given for informational purposes and is hereby made a part of the bid documents. Failure to acknowledge receipt of this addendum shall be grounds for the bidder's disqualification and rejection of the bidder's proposal.

#### 1. Part A – Pre-Bid Meeting Notes and Presentation

The pre-bid meeting notes, pre-bid meeting list of attendees, and pre-bid presentation are attached to this addendum.

#### 2. Part B – RFI Closing Date

To respond to questions in time for bid opening, all RFIs must be sent prior to close of business on October 08, 2018 to Jerry Johnson ([jjohnson2@brwnald.com](mailto:jjohnson2@brwnald.com)).

Bidders are also notified to visit the GWA website: [www.guamwaterworks.org](http://www.guamwaterworks.org) to ensure that addenda to the bid, answers to questions, and reminders are communicated to all bidders throughout the solicitation process.

  
MIGUEL C. BORDALLO, P.E.  
General Manager

### Attachment(s):

- Pre-bid meeting: Notes, list of attendees, and presentation

MCB;nq

**PRE-BID MEETING: NOTES, LIST OF ATTENDEES, AND PRESENTATION**

This page intentionally left blank.



# Meeting Minutes

414 W. Soledad Ave., Ste 602  
Hagåtña, GU 96910

T: 671.300.4220

**Prepared for:** Guam Waterworks Authority (GWA)

**Project Title:** Upgrade of Northern District Wastewater Treatment Plant (Clearing and Grading)

**Project No.:** GWA Project No. S17-003-OEA, IFB-09-ENG-2018

**Purpose of Meeting:** Construction Pre-Bid Conference

**Date:** September 28, 2018

**Meeting Location:** GPWA Procurement Conference Room

**Time:** 10:00 a.m.

**Notes Prepared by:** Brown and Caldwell (BC)

**Attendees:** (See attached Pre-Bid Meeting Sign-in-sheet)

## Notes

- Meeting was initiated at 10am and included introduction of staff from GWA, GWA's Program Manager, Brown and Caldwell (BC), and project designer, Dueñas, Camacho and Associates (DCA).
- Jerry Johnson, BC presented key bid and construction dates and a high-level Org. Chart. Ken Rekdahl, DCA, presented the project on PowerPoint. See attached presentation slides for these dates.
- Alternate Bid Item:
  - This item is intended for contractors to remove the stockpile from the site after completion of clearing and grading.
  - Contractor Question: Where do contractors move this stockpile?
    - Response: The contractor will keep the stockpile, move it to a location of their choosing, and use at their discretion.
- The Preliminary Geotechnical Report was issued in Addendum 1.
- Permits
  - Building Permit
    - All agency signatures have been obtained, except for the Dept. of Agriculture and the Guam Contractor's Licensing Board. Guam EPA has already signed off on this Permit
    - It is anticipated that the Dept. of Agriculture will sign-off before bid-opening
    - Building Permit is also being concurrently reviewed by Dept. of Public Works
  - Storm Water Pollution Prevention Plan (SWPPP) and Notice of Intent (NOI)
    - DCA has already drafted a sample template of the SWPPP that the contractor can use and send to the USEPA
  - National Environmental Policy Act (NEPA)
    - This project is federally funded by the Office of Economic Adjustment (OEA), so the project must comply with NEPA. OEA/USEPA is handling the NEPA process, and the Finding of No Significant Impact is anticipated within 60 days
- Ongoing Plant Operations
  - Plant must remain in operation during the clearing & grading phase
- Project Specifications

- GWA has adopted the Engineers Joint Contract Documents Committee (EJCDC) documents. The project specifications and bid requirements may look different from GWA's old format
- The adaptation of the EJCDC documents help provide more clarity
- Resident Project Representative (RPR), aka Construction Manager (CM)
  - GHD serves as the project's RPR
- Comment from GHD
  - Please read the plans and specs carefully
  - Please submit RFIs during the bid phase for official GWA responses
- Does Davis-Bacon apply?
  - Please see the Supplementary Conditions to understand how Davis Bacon applies to this project and submit an RFI if clarification is needed
- Review of Site Plans/Overview of Work
  - The Northern District Wastewater Treatment Plant is a primary treatment plant and is operated 24 hours a day, 7 days a week.
  - Be aware of other construction activities in the area. There may also be clearing and grading occurring for a different owner on an adjacent site to the NDWWTP.
  - There is a communication line easement running through the site.
    - DCA will help contractor stake out this easement
    - Contractor cannot use this area for stockpiling
    - DCA will work together with the RPR to notify the communications line owner about the NDWWTP clearing and grading work, but all work should be outside this easement
  - Stockpiling recommended at northern portion of new site
  - Grade verification is the responsibility of the contractor, and the reference points are on the plans. DCA will show those points to the contractor. Contractor will need to bring in a land surveyor.
- Additional Contractor Questions
  1. Has the archaeological study been completed?
    - It has been completed and clearance has been provided by SHPO
  2. Is specialty MEC/UXO clearance required?
    - No, standard MEC/UXO applies
  3. Are there existing utilities to be concerned about on the existing site?
    - No, not where clearing and grading will occur
  4. Are there bonding requirements?
    - Yes, bonding requirements are provided in the Supplementary Conditions.



GUAM WATERWORKS AUTHORITY

IFB-09-ENG-2018

Upgrade of Northern District Wastewater Treatment Plant (Clearing and Grading)

GWA Project No. S17-003-OEA

Pre-Bid Conference

September 28, 2018 – 10:00 a.m. – GPWA Procurement Conference Room

Participants	Company	Contact No.
1. <u>RYUSU YOSHIDA</u>	<u>MAEDA PACIFIC CORP.</u>	<u>T 646-6060 F 646-6666</u>
2. <u>ARIEL P. LIRA</u>	<u>SUMITOMO MITSUBI CONST. CO. LTD</u>	<u>888-7755</u>
3. <u>JONI PALMA</u>	<u>KORANDO CORP</u>	<u>898-9290</u>
4. <u>Ken Rekdahl</u>	<u>Duenas, Comacho &amp; Associates</u>	<u>477-7991</u>
5. <u>JULY JOHNSON</u>	<u>BROWN &amp; CASHILL</u>	<u>300-4232</u>
6. <u>ALBERT CARLOS</u>	<u>IAN CONST.</u>	<u>929-7377</u>
7. <u>Jun Park</u>	<u>IAA, Corp</u>	<u>688-2910</u>
8. <u>Scott Reed</u>	<u>SBC</u>	<u>888-4191</u>
9. <u>NELSON DEGALA</u>	<u>HDCC</u>	<u>689-6357</u>
10. <u>Nicole B. Quan</u>	<u>GWA</u>	<u>300-6038</u>
11. <u>ROBERT SHAMBACH</u>	<u>EA Engineering, Sci. &amp; Tech. Inc PBC</u>	<u>727-6094</u>
12. <u>ALAN SOLARIN</u>	<u>BSMS</u>	<u>632-3338</u>
13. <u>ROGER TRAY</u>	<u>BSMS</u>	<u>632-3338</u>
14. <u>Chung, Joseph</u>	<u>Erkent Construction</u>	<u>489-2913</u>
15. <u>Robert Ohira</u>	<u>HSC</u>	<u>686-2666</u>
16. <u>BRYAN S. RYAN</u>	<u>GHD, INC.</u>	<u>747-3330</u>
17. _____	_____	_____

UPGRADE OF NORTHERN DISTRICT  
WASTEWATER TREATMENT PLANT  
(CLEARING AND GRADING)

IFB-09-ENG-2018

September 28, 2018



GUAM WATERWORKS AUTHORITY



**GUAM WATERWORKS AUTHORITY**



**Brown AND Caldwell**  
PROGRAM MANAGER/CONSTRUCTION MANAGER



**GHD**  
CONSTRUCTION MANAGER



**DUEVAS-GAMACHO**  
ENGINEER OF RECORD



**CONTRACTOR**




# NDWWTP Upgrade Phase 1 – Site Preparation (Clearing & Grading) Implementation Schedule

Activity	Anticipated Start Dates	Anticipated Completion Dates
Site Preparation Advertisement for Bid	9/18/2018	10/18/2018
Pre-bid Conference	9/28/2018	
Bid RFIs Deadline	10/8/2018	
Bid Opening	10/18/2018	
Site Preparation Prepare and Approve Construction Contract	10/18/2018	12/06/2018
NTP to Contractor	12/7/2018	
Start Construction	12/10/2018	
Substantial Completion	5/7/2019	
Final Completion – Project closeout	6/6/2019	



# Notable Items

- **Alternate Bid**
  - **Permits**
  - **Ongoing Plat Operations**
- 



**DCA**  
 DIVERSITY OF AMERICA  
 ENGINEERING CONSULTING AND ARCHITECTURE  
 ENVIRONMENTAL SERVICES CORPORATION  
 700 N. 10TH ST. SUITE 1000  
 WASHINGTON, DC 20004

CONSULTANTS



THE GOVERNMENT OF GUAM  
 NORTHERN DISTRICT  
 PROJECT TITLE

GUAM WATERWORKS AUTHORITY  
 NORTHERN DISTRICT  
 WASTEWATER  
 TREATMENT PLANT  
 (CLEARING, GRUBBING AND  
 GRADING PHASE)

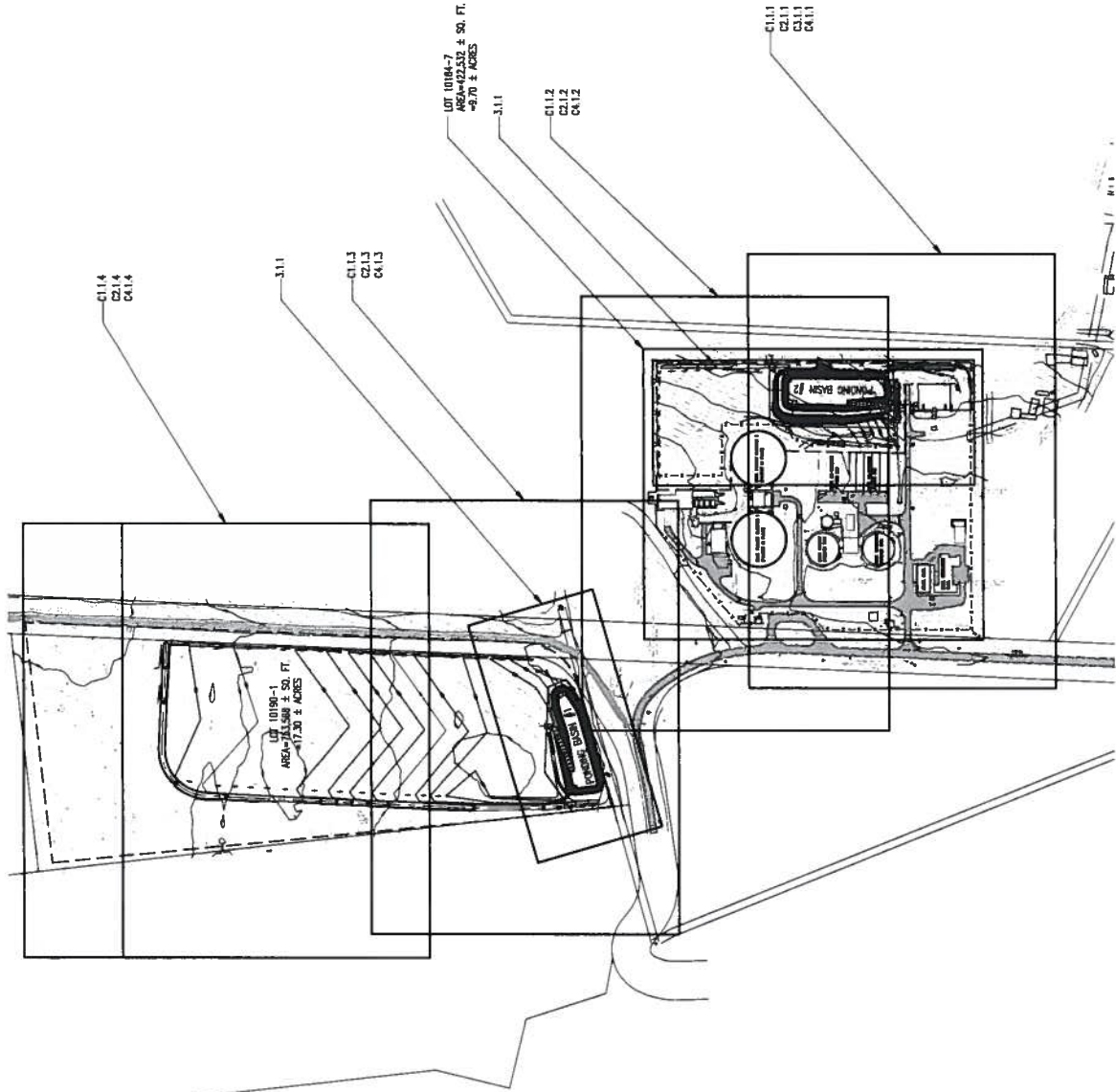
BID SET

Mark	Date	Description
Project No.	S17-005-CEA	
Issue Date	08/26/18	
Drawn By	JML/CLP	
Checked By	JML/CR	
Approved By	JR	
Designed By	JMC	

Sheet Title

KEY PLAN

Sheet  
**C0.1.1**  
 2 OF 23



1 KEY PLAN

AS NOTED, ALL DIMENSIONS ARE IN FEET AND INCHES UNLESS OTHERWISE NOTED. ALL DIMENSIONS ARE TO FACE UNLESS OTHERWISE NOTED. ALL DIMENSIONS ARE TO FACE UNLESS OTHERWISE NOTED.



CONSULTANTS

POINT NO.	NORTHING	EASTING	DESCRIPTION
12	671623.7707	351622.1090	LIMITS OF CLEARING & GRADING BEORN CURVE
13	671744.2796	351482.2282	LIMITS OF CLEARING & GRADING END CURVE
14	671810.2494	351139.2819	LIMITS OF CLEARING & GRADING CORNER
15	672063.4938	351238.2773	LIMITS OF CLEARING & GRADING CORNER



PROJECT TITLE

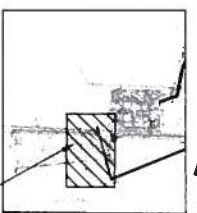
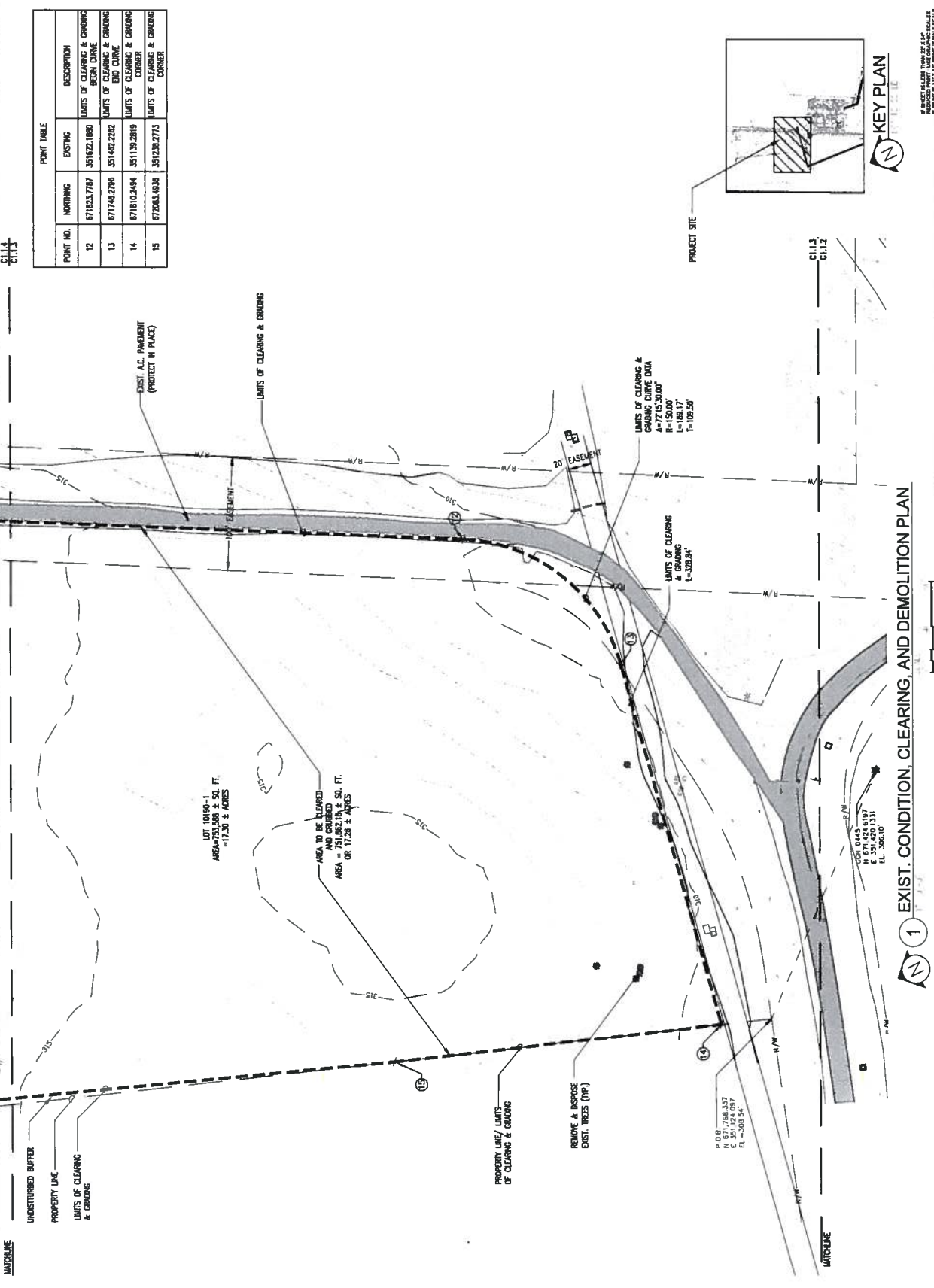
NORTHERN DISTRICT  
WASTEWATER  
TREATMENT PLANT  
(CLEARING, GRUBBING AND  
GRADING PHASE)

BID SET

Project No.	S17-005-GSA
Issue Date	03/05/18
Drawn By	JMG/CLP
Checked By	JMG/CR
Approved By	JMG
Designed By	JMG

Sheet Title  
EXIST. CONDITION, CLEARING  
AND DEMOLITION PLAN

Sheet  
**C1.1.3**  
6 OF 23



PROJECT SITE

1 EXIST. CONDITION, CLEARING, AND DEMOLITION PLAN



SCALE: 1" = 100'

