



GUAM WATERWORKS AUTHORITY

Gloria B. Nelson, Public Service Building, 688 Route 15, Mangilao, Guam, 96913

Invitation to Bid:

IFB-08-ENG-2017
New GWA Compliance Laboratory Office Furniture
GWA Project No. W17-001-BND

Addendum No.:

01

Date:

June 14, 2017

All potential Bidders:

This Addendum is issued to modify the previously issued bid documents and /or given for informational purposes, and is hereby made a part of the bid documents. Failure to acknowledge receipt of this addendum shall be grounds for the bidder's disqualification and rejection of the bidder's proposal.

1. Part A, section 1 - Bid Submission Requirements, Paragraph 1.1 Invitation to Bid and other sections on the bid documents where applies, which states:

"The Guam Waterworks Authority (hereafter "Owner" or "GWA") will receive sealed bids for the GWA IFB-08-ENG-2017 relative to NEW GWA COMPLIANCE LABORATORY BUILDING - OFFICE FURNITURE; GWA Project No. W17-001- BND. Bids will be accepted until 3:00 P.M., Chamorro Standard Time, June 15, 2017, at the GWA Engineering Division, Gloria B. Nelson Public Service Building, 688 Route 15, Mangilao, Guam 96913.

Has now been changed to read:

- "The Guam Waterworks Authority (hereafter "Owner" or "GWA") will receive sealed bids for the GWA IFB-08-ENG-2017 relative to NEW GWA COMPLIANCE LABORATORY BUILDING - OFFICE FURNITURE; GWA Project No. W17-001- BND. Bids will be accepted until 3:00 P.M., Chamorro Standard Time, June 23, 2017, at the GWA Engineering Division, Gloria B. Nelson Public Service Building, 688 Route 15, Mangilao, Guam 96913.
2. Drawings:
Drawing Sheet A-7.1, referencing window details and window schedule.
 3. RFI Response No. 01 dated June 14, 2017.

Bidders are also notified to visit GWA website: www.guamwaterworks.org to ensure that all addenda to the bid, answers to questions, and reminders are communicated to all bidders through the solicitation process.


THOMAS F. CRUZ, P.E.

Acting General Manager



GUAM WATERWORKS AUTHORITY

New GWA Compliance Laboratory Building – Office Furniture
GWA Project No. W17-001-BND
IFB-08-ENG-2017
RFI Response No. 1 to Contractor Inquiries
ADDENDUM NO. 01
June 14, 2017

This Addendum and/or Response to Request for Information (RFI) is issued to modify the previously issued bid documents and/or given for informational purposes and to the extent the responses below modify the bid documents, please treat them as an amendment to the Bid. The following responses are in response to RFIs received.


	REFERENCE	QUESTION/INQUIRY AS SUBMITTED:	GWA RESPONSE:
Questions from June 6, 2017			
1.	Item Code: T1	<p>Preside Laminate Tables 84" W X 42" D Race Track Shape Conference Top with Flip Top Port Data/DPM & Power Outlet Aluminum T-Leg Base</p> <p><u>Questions:</u> What kind of table top finish? Is it mahogany? What is the table edge treatment?</p> <p>What is the exact size of the aluminum T-leg base?</p>	<p>The Conference Table is Preside Laminate Top measuring 84" L X 42" W X 29" H with 1" edge thickness. It is Laminate Top with Race Track Shape Conference Top Flip Top Port Data/DPM & Power Outlet and Aluminum T Leg Base. The conference table must comfortably accommodate up to Eight (8) people while conserving floorspace.</p> <ul style="list-style-type: none"> • Racetrack shape allows meeting participants to see each other easily • Base design maximizes knee and leg space • Scratch-, spill- and stain-resistant laminate withstands heavy use • Heavy-grade, warp-resistant particleboard withstands heavy activity • Leveling glides compensate for uneven floors. <p>The Conference Table Standard Ht. is 29" including the 1" thick edge of Table.</p>

	REFERENCE	QUESTION/INQUIRY AS SUBMITTED:	GWA RESPONSE:
2.	Item Code: C1	<p>Model: HIWMM Mid-Mesh Back, Upholstered Seat Height and Width Adjustable Arms</p> <p><u>Questions:</u> What kind of fabric grade? Or what kind of fabric in the seat? What is the specific fabric color?</p>	<p>All Chairs in C1 are Ignition 2.0 (HIWMM), Upholstered Leather Seat Grade II (Typical).</p> <p>The color selection for the Chair Leather Upholstery can be done after the award of the project. The bidder must price their bid considering color selection does not constitute change order or additional cost to the project. The contractor who win the bid shall provide sample of seat leather materials and two preference color selection for comparison.</p>
3.	Item Code: C2	<p>Model: HIEH3 Executive High Back Upholstered Seat & Back Height and Width Adjustable Arms</p> <p><u>Questions:</u> What kind of fabric grade? Or what kind of fabric in the seat? What is the specific fabric color?</p>	<p>The Executive Chair is Ignition (HIEH3), High Back Upholstered Leather Grade II Seat & Back with Height and Width Adjustable Arms.</p> <p>The color selection for the Chair Leather Upholstery can be done after the award of the project. The bidder must price their bid considering color selection does not constitute change order or additional cost to the project. The contractor who win the bid shall provide sample of seat leather materials and two preference color selection for comparison.</p>

	REFERENCE	QUESTION/INQUIRY AS SUBMITTED:	GWA RESPONSE:
4.	Item Code: C3	<p>Model: HIGS6 Guest Chair Upholstered Seat & Back 4 Leg Steel Frame</p> <p><u>Questions:</u> What kind of fabric grade? Or what kind of fabric in the seat? What is the specific fabric color?</p>	<p>The Guest Chair is Ignition (HIGS6) Upholstered Seat and Back Vinyl Grade III, 4 Leg Steel Frame.</p> <p>The color selection for the Chair Vinyl Upholstery can be done after the award of the project. The bidder must price their bid considering color selection does not constitute change order or additional cost to the project. The contractor who win the bid shall provide sample of seat Vinyl materials and two preference color selection for comparison.</p>
5.	Item Code: C4	<p>Model: HSLVTMM Mid-Mesh Back, Upholstered Seat Adjustable Arms</p> <p><u>Questions:</u> What kind of fabric grade? Or what kind of fabric in the seat? What is the specific fabric color?</p>	<p>The Conference Chairs are Solve (HSLVTMM), Mid Mesh Back, Upholstered Leather Seat Grade II (Typical). Height Adjustable Arms. Swivel Tilt Pneumatic Lift, Hard Casters, Black Frame & Base.</p> <p>The color selection for the Chair Leather Upholstery can be done after the award of the project. The bidder must price their bid considering color selection does not constitute change order or additional cost to the project. The contractor who win the bid shall provide sample of seat leather materials and two preference color selection for comparison.</p>
6.	Item Code: C5	<p>Model: HSLVSMM Stool Mid-Mesh Back, Upholstered Seat Height Adjustable Arms</p> <p><u>Questions:</u> What kind of fabric grade? Or what kind of fabric in the seat? What is the specific fabric color?</p>	<p>The High Stool is Solve (HSLVSMM) Mid- Mesh Back, Upholstered Vinyl Seat is Grade III. Height Adjustable Arms, Swivel Tilt Pneumatic Lift, Hard Casters, Black Frame & base.</p> <p>The color selection for the Chair Vinyl Upholstery can be done after the award of the project. The bidder must price their bid considering color selection does not constitute change order or additional cost to the project. The contractor who win the bid shall provide sample of seat Vinyl materials and two preference color selection for comparison.</p>
7.	ITEM CODE: B1	<p>ROLLER SHADE MODEL: Thermo veil '2100" series (10% Open) or equal.</p> <p><u>Questions:</u> Can you please verify the fabric selection and the color depending on the Visible light transmittance of your glass and elevation, a denser weave may be</p>	<p>The Window Opening is 3' Wide X 4'-2" Height, exact dimension is provided see Addendum #1 Attached plans. Window Roller Shade is Thermoveil "2100" Series with 10% open. Mechoshade or equal, please google for more info.</p>

	REFERENCE	QUESTION/INQUIRY AS SUBMITTED:	GWA RESPONSE:
		recommended. And the exact dimensions as well.	
8.	Item Code: F1	Lateral File Cabinet <u>Questions:</u> What exact color is the drawers as well as the laminate file top? How thick and what kind of laminate file top of this cabinet?	The Metal Lateral File Drawers is Brigade 800 Series 30" Wide and 3 Drawers with Laminate File Top and Metal Paint finish. These lateral files drawers should match the work station metal drawers color and materials. The Top Laminate Wood of Metal Lateral File Drawers should match the Work Station Table color, materials and thickness.
9.		Do you offer an extension for the delivery of the furniture? Since it's customized furniture.	The bid documents states furniture completion date is August 21, 2017 or 60 calendar days from issuance of NTP.
10.		Please specify furniture manufacture source: 1. US brand, Made in US 2. US brand, Made in other countries 3. Any country as long as meeting project specs	HON or Equal. Please refer to Furniture Bid Specification where as " Made in USA " is specified in all items.

Bidders are also notified to visit GWA website: www.guamwaterworks.org to ensure that addenda to the bid, answers to questions, and reminders are communicated to all bidders throughout the solicitation process.


THOMAS F. CRUZ, P.E.
Acting General Manager

MCB;gb;sm

ARCHITECTS
LAGUANA
LLC
ARCHITECTS
PLANNING - INTERIORS
1000 W. WASHINGTON AVE. SUITE 100
AGANA, GUAM 96910
PHONE: 671-464-2323
WWW.LAGUANAARCHITECTS.COM

STRUCTURAL
ENGINEER
STRENGTHENED REINFORCED
CONCRETE
MAGNANA, GUAM 96910
TEL: 477-0033
WWW.MAGNANA.COM

CONTRACTOR
J.M. ASSING, PC
P.O. BOX 6032
TALAHUEN, GUAM 96901
TEL: 467-5124 FAX: 465-5123
EMAIL: www.jmassing.com

MECHANICAL/ELECTRICAL/PLUMBING/FIRE PROTECTION
CONSULTING ENGINEERS
2017 2018 ADA PDA CREW
173 APUNTA, WAVE, GUAM, GU 96912
TEL: 467-5124 FAX: 465-5123
EMAIL: cme@cece-engineers.com
WWW.CECE-ENGINEERS.COM

GUAM WATERWORKS AUTHORITY
NEW GUAM WATERWORKS AUTHORITY
COMPLIANCE LABORATORY
UPPER TUMON GUAM



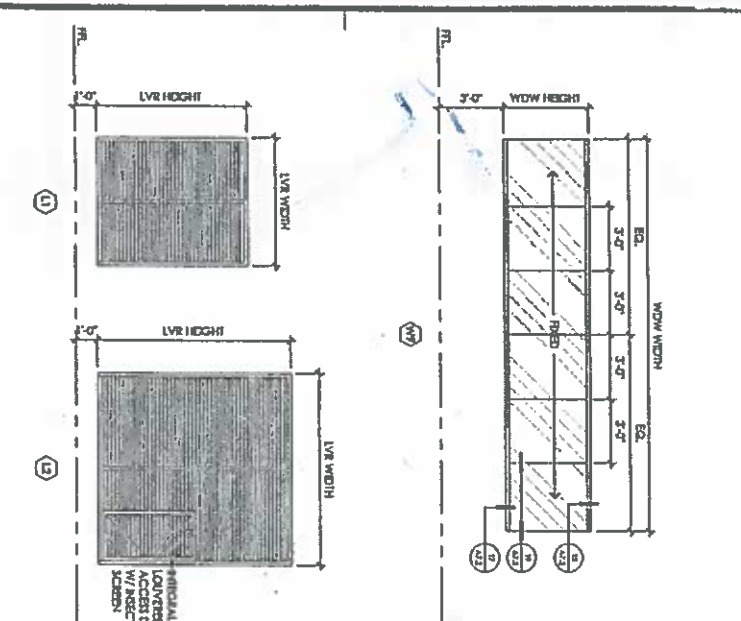
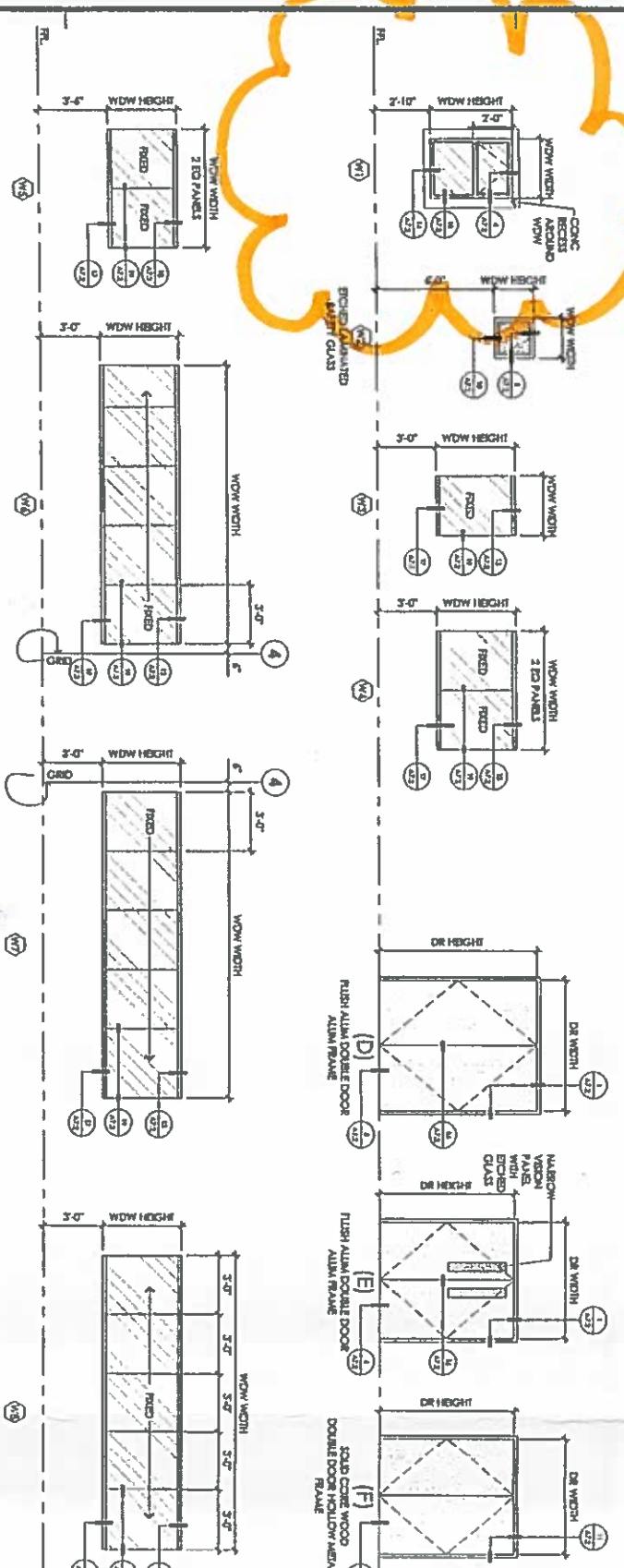
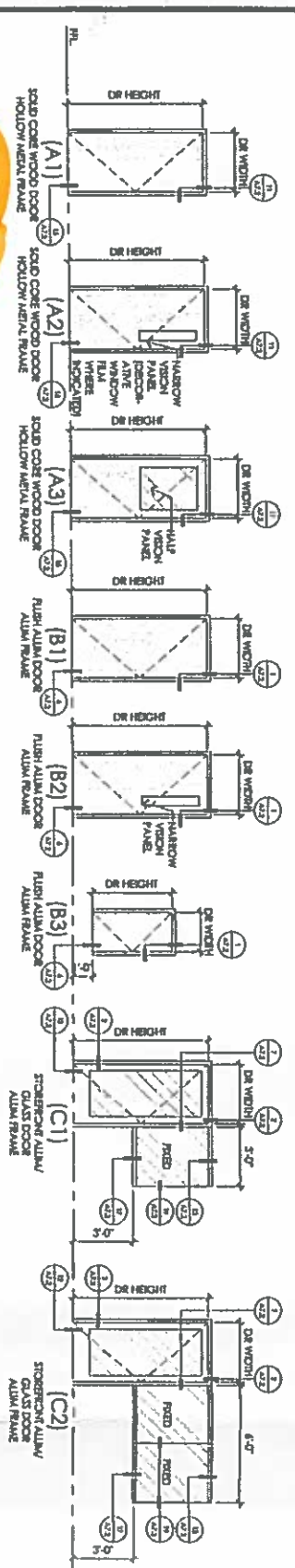
JOB NO. AL 18-01-2015

DESIGNED BY: ALI
DRAWN BY: PC
CHECKED BY: ALI
DATE: 08/10/16

PERMIT SET 08/10/16

DOOR SCHEDULE

DOOR NUMBER	DOOR TYPE	WIDTH	HEIGHT	THICK.	DOOR MATERIAL	FINISH	DOOR FRAME MATERIAL	FINISH	HARDWARE	REMARKS
(101)	A1	3'-0"	6'-10"	-	ALUM.	CLEAR ANOD.	ALUM.	CLEAR ANOD.	HW	-
(102)	C1	3'-0"	6'-10"	-	ALUM.	CLEAR ANOD.	ALUM.	CLEAR ANOD.	HW	-
(103)	A2	3'-0"	6'-10"	1-3/4"	SCWD	PT	H.M.L.	PT	HW	-
(104)	C2	3'-0"	6'-10"	1-3/4"	ALUM./ALUM.	CLEAR ANOD.	ALUM.	CLEAR ANOD.	HW	-
(105)	A1	3'-0"	6'-10"	1-3/4"	SCWD	PT	H.M.L.	PT	HW	-
(106)	A2	3'-0"	6'-10"	1-3/4"	SCWD	PT	H.M.L.	PT	HW	-
(107)	A1	3'-0"	6'-10"	1-3/4"	SCWD	PT	H.M.L.	PT	HW	-
(108)	A1	3'-0"	6'-10"	1-3/4"	SCWD	PT	H.M.L.	PT	HW	-
(109)	A1	3'-0"	6'-10"	1-3/4"	SCWD	PT	H.M.L.	PT	HW	-
(110)	B1	3'-0"	6'-10"	-	ALUM.	CLEAR ANOD.	ALUM.	CLEAR ANOD.	HW	-
(111)	A2	3'-0"	6'-10"	1-3/4"	SCWD	PT	H.M.L.	PT	HW	-
(112)	A3	3'-0"	6'-10"	1-3/4"	SCWD	PT	H.M.L.	PT	HW	-
(113)	A3	3'-0"	6'-10"	1-3/4"	SCWD	PT	H.M.L.	PT	HW	-
(114)	A1	3'-0"	6'-10"	1-3/4"	SCWD	PT	H.M.L.	PT	HW	-
(115)	A2	3'-0"	6'-10"	1-3/4"	SCWD	PT	H.M.L.	PT	HW	-
(116)	A2	3'-0"	6'-10"	1-3/4"	SCWD	PT	H.M.L.	PT	HW	-
(117)	A2	3'-0"	6'-10"	1-3/4"	SCWD	PT	H.M.L.	PT	HW	-
(118)	A2	3'-0"	6'-10"	1-3/4"	SCWD	PT	H.M.L.	PT	HW	-
(119)	A2	3'-0"	6'-10"	1-3/4"	SCWD	PT	H.M.L.	PT	HW	-
(120)	A1	3'-0"	6'-10"	1-3/4"	SCWD	PT	H.M.L.	PT	HW	-
(121)	A2	3'-0"	6'-10"	1-3/4"	SCWD	PT	H.M.L.	PT	HW	-
(122)	A1	3'-0"	6'-10"	1-3/4"	SCWD	PT	H.M.L.	PT	HW	-
(123)	A2	3'-0"	6'-10"	1-3/4"	SCWD	PT	H.M.L.	PT	HW	-
(124)	A1	3'-0"	6'-10"	1-3/4"	SCWD	PT	H.M.L.	PT	HW	-
(125)	E	6'-0"	6'-10"	-	ALUM.	CLEAR ANOD.	ALUM.	CLEAR ANOD.	HW	W/ VISION PANEL, SINGLE LEAF
(126)	A1	3'-0"	6'-10"	1-3/4"	SCWD	PT	H.M.L.	PT	HW	-
(127)	A1	3'-0"	6'-10"	1-3/4"	SCWD	PT	H.M.L.	PT	HW	-
(128)	A1	3'-0"	6'-10"	1-3/4"	SCWD	PT	H.M.L.	PT	HW	-
(129)	A1	3'-0"	6'-10"	1-3/4"	SCWD	PT	H.M.L.	PT	HW	-
(130)	A1	3'-0"	6'-10"	1-3/4"	SCWD	PT	H.M.L.	PT	HW	-
(131)	A1	3'-0"	6'-10"	1-3/4"	SCWD	PT	H.M.L.	PT	HW	-
(132)	A1	3'-0"	6'-10"	1-3/4"	SCWD	PT	H.M.L.	PT	HW	-
(133)	A1	3'-0"	6'-10"	1-3/4"	SCWD	PT	H.M.L.	PT	HW	-
(134)	A1	3'-0"	6'-10"	1-3/4"	SCWD	PT	H.M.L.	PT	HW	-
(135)	A1	3'-0"	6'-10"	1-3/4"	SCWD	PT	H.M.L.	PT	HW	-
(136)	A1	3'-0"	6'-10"	1-3/4"	SCWD	PT	H.M.L.	PT	HW	-
(137)	A1	3'-0"	6'-10"	1-3/4"	SCWD	PT	H.M.L.	PT	HW	-
(138)	A1	3'-0"	6'-10"	1-3/4"	SCWD	PT	H.M.L.	PT	HW	-
(139)	A1	3'-0"	6'-10"	1-3/4"	SCWD	PT	H.M.L.	PT	HW	-
(140)	A1	3'-0"	6'-10"	1-3/4"	SCWD	PT	H.M.L.	PT	HW	-
(141)	A1	3'-0"	6'-10"	1-3/4"	SCWD	PT	H.M.L.	PT	HW	-
(142)	A1	3'-0"	6'-10"	1-3/4"	SCWD	PT	H.M.L.	PT	HW	-
(143)	A1	3'-0"	6'-10"	1-3/4"	SCWD	PT	H.M.L.	PT	HW	-
(144)	A1	3'-0"	6'-10"	1-3/4"	SCWD	PT	H.M.L.	PT	HW	-
(145)	A1	3'-0"	6'-10"	1-3/4"	SCWD	PT	H.M.L.	PT	HW	-
(146)	A1	3'-0"	6'-10"	1-3/4"	SCWD	PT	H.M.L.	PT	HW	-
(147)	A1	3'-0"	6'-10"	1-3/4"	SCWD	PT	H.M.L.	PT	HW	-
(148)	A1	3'-0"	6'-10"	1-3/4"	SCWD	PT	H.M.L.	PT	HW	-
(149)	A1	3'-0"	6'-10"	1-3/4"	SCWD	PT	H.M.L.	PT	HW	-
(150)	A1	3'-0"	6'-10"	1-3/4"	SCWD	PT	H.M.L.	PT	HW	-
(151)	A1	3'-0"	6'-10"	1-3/4"	SCWD	PT	H.M.L.	PT	HW	-



WINDOW/DOOR SCHEDULE

WINDOW/DOOR NUMBER	WIDTH	HEIGHT	MATERIAL	FINISH	REMARKS
(W1)	3'-0"	4'-0"	ALUM.	CLEAR ANOD.	W/ TYPICAL SILLERS W/ 1-3/4" SCREEN
(W2)	2'-0"	2'-0"	ALUM.	CLEAR ANOD.	W/ INSECT SCREEN
(W3)	3'-0"	4'-0"	ALUM.	CLEAR ANOD.	TOP/NOT FRAME ONLY
(W4)	4'-0"	4'-0"	ALUM.	CLEAR ANOD.	TOP/NOT FRAME ONLY
(W5)	6'-0"	3'-0"	ALUM.	CLEAR ANOD.	TOP/NOT FRAME ONLY
(W6)	15'-4 1/2"	4'-0"	ALUM.	CLEAR ANOD.	TOP/NOT FRAME ONLY
(W7)	16'-1 1/2"	4'-0"	ALUM.	CLEAR ANOD.	TOP/NOT FRAME ONLY
(W8)	15'-0"	4'-0"	ALUM.	CLEAR ANOD.	TOP/NOT FRAME ONLY
(W9)	18'-0"	4'-0"	ALUM.	CLEAR ANOD.	TOP/NOT FRAME ONLY
(W10)	4'-0"	7'-0"	ALUM.	CLEAR ANOD.	W/ INSECT SCREEN
(W11)	4'-0"	7'-0"	ALUM.	CLEAR ANOD.	W/ INSECT SCREEN
(W12)	4'-0"	7'-0"	ALUM.	CLEAR ANOD.	W/ INSECT SCREEN

1. ALL EXTERIOR GLAZING, FRAMED AND INSULATION MUST BE DESIGNED TO MEET THE MINIMUM OF THE APPLICABLE WIND LOAD REQUIREMENT.
2. OVERALL DIMENSION SHOULD NOT BE VARY WITH ACTUAL ROOM OPENING FROM TO A MAXIMUM.
3. EXTERIOR GLAZING IS UNWARRANTED SAFETY GLASS W/ GREEN TINT, INTERIOR GLAZING IS CLEAR UNWARRANTED SAFETY GLASS.

